

COVERS

- Supplied as spare parts

DESCRIPTION	BOX (mm)	PACK QTY.	CATALOGUE NUMBER
Round covers with fasteners	Ø 65 mm	50/500	⊕ 875.4501
	Ø 80 mm	40/400	⊕ 875.4502
	92x92	5/100	⊕ 875.4510
	118x96	5/160	⊕ 875.4511
Screw covers	153x98	5/140	⊕ 875.4512
	160x130	5/80	⊕ 875.4513
	196x152	5/60	⊕ 875.4514
	294x152	2/40	⊕ 875.4515
	392x152	2/30	⊕ 875.4516
	480x160	2/24	⊕ 875.4517

Provided without screws

SCREWS FOR COVERS

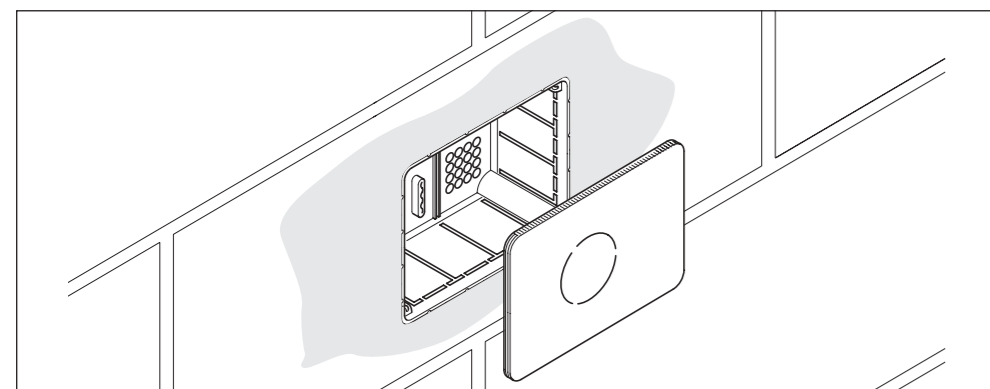
DESCRIPTION	SIZE (mm)	PACK QTY.	CATALOGUE NUMBER
20-screw packs	3x19	1/120	875.4500

PROTECTIVE COVER

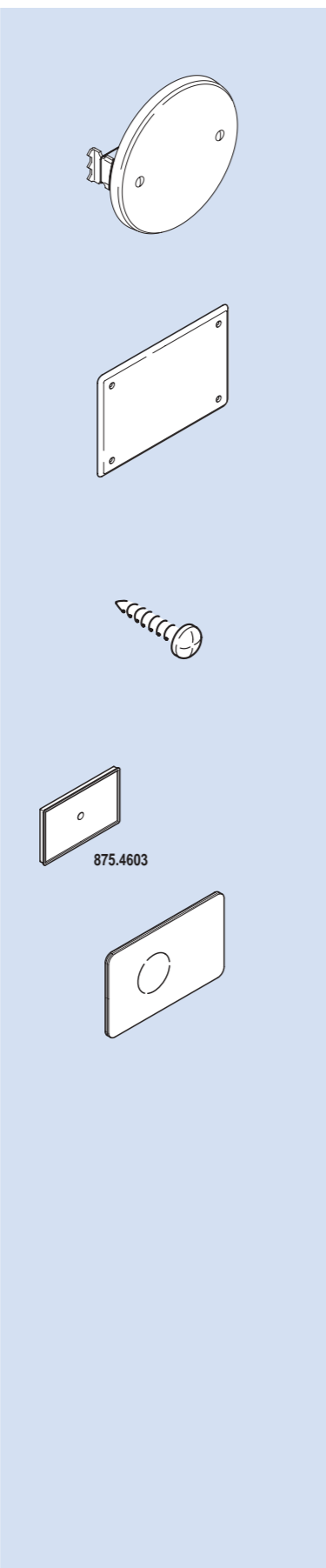
- Release installation

DESCRIPTION	BOX (mm)	PACK QTY.	CATALOGUE NUMBER
Plastic	3 modules	120	875.4603*
	92x92	5/100	875.4610
	118x96	5/160	875.4611
	153x98	5/140	875.4612
	160x130	5/80	875.4613
	196x152	5/60	875.4614
In plasticised carton	294x152	2/40	875.4615
	392x152	2/30	875.4616
	480x160	2/24	875.4617

* For 3-module boxes catalogue number 875.4303

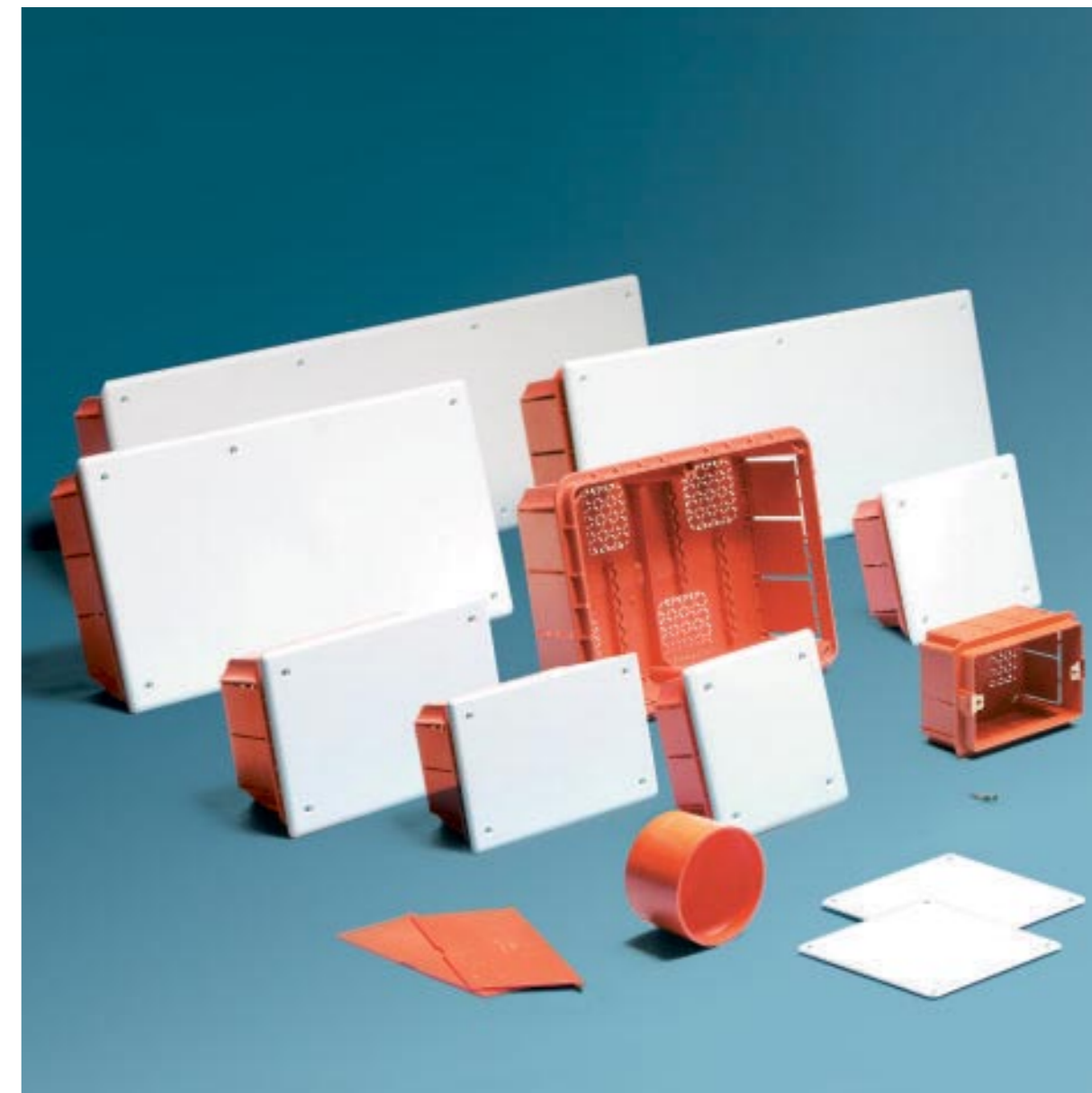


The protective cover has been designed so to protect the inside of the connector blocks during any building and painting operation.



WBOX Series

Flush mounting boxes



ScameOnLine
<http://www.scame.com>
 e-mail: scame@scame.com

WBOX Series FLUSH MOUNTING BOXES



GENERAL

The flush mounting boxes WBOX Series are manufactured in high-resistance technopolymer and used for main and secondary connections for industrial, service and household uses.

WBOX Series allow Scame to offer a wide range of accessories and spare parts, such as covers, protective covers and partitions that are available in different sizes.

REFERENCE STANDARDS

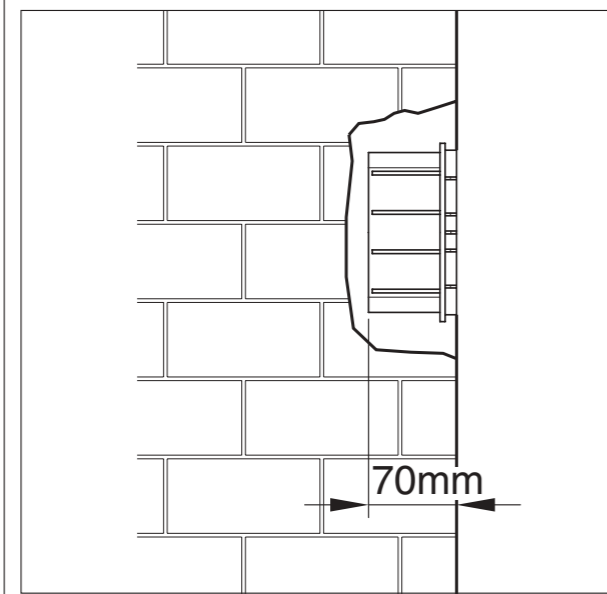
**CEI 23-48 (first edition 1995)
Conforming with IEC 60670 (1989)**

Enclosures for equipment used in fixed electric installations for homes or similar expected use.
Part I : General Prescriptions

TECHNICAL FEATURES

- Made in high-resistance technopolymer.
- Inside partitions, which allow subdividing the electric circuits.
- High-resistance white-coloured covers.

FLUSH MOUNTING INSTALLATION



FLUSH MOUNTING BOXES

ROUND FLUSH MOUNTING BOXES

- Index of Protection IP40
- Provided with cover and screws

DESCRIPTION	PACK QTY.	CATALOGUE NUMBER
Ø 65 mm	500	875.4201

FLUSH MOUNTING PHONE BOXES

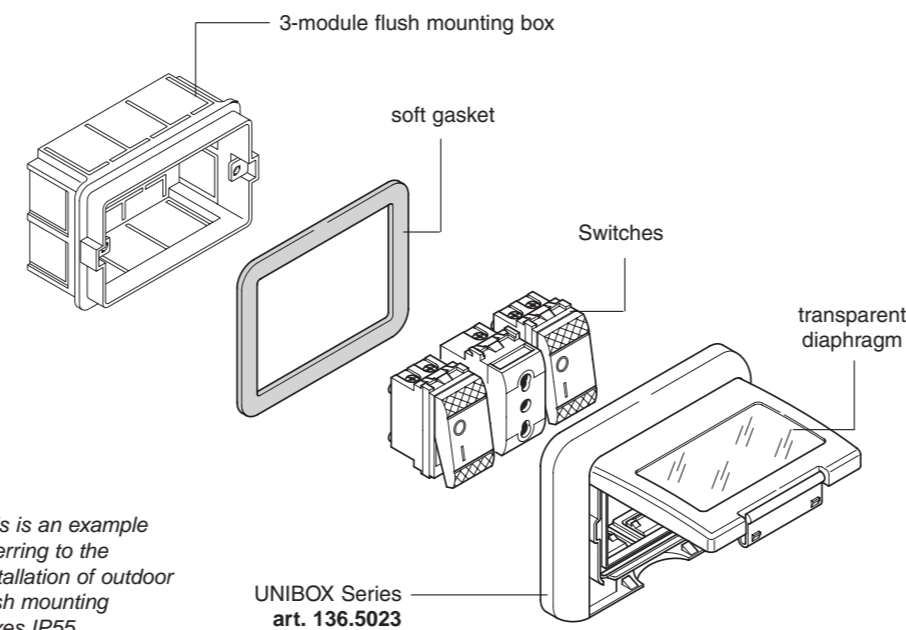
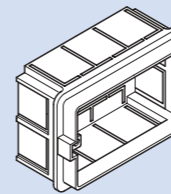
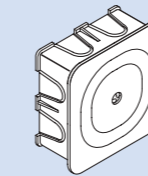
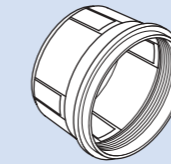
- Provided with cover and screws

SIZE (mm)	COLOUR	PACK QTY.	CATALOGUE NUMBER
70x70 mm	Ivory	12/60	875.4301

RECTANGULAR FLUSH MOUNTING BOXES

- Provided with cover and screws

MODULES	DISTANCE BETWEEN AXES FOR FIXING (mm)	PACK QTY.	CATALOGUE NUMBER
3 modules	83,5	6/300	875.4303
4 modules	108,5	100	875.4304
6 modules	100	3/36	875.4306



This is an example referring to the installation of outdoor flush mounting boxes IP55

FLUSH JUNCTION BOXES

- Provided with box, cover and screw

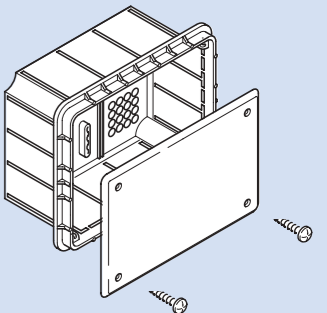
DIMENSIONS (mm)	COMPARTMENTS	PACK QTY.	CATALOGUE NUMBER
92x92x45	1 -	1/170	875.4410
118x96x50	1 -	1/120	875.4411
153x98x70	1 -	1/70	875.4412
160x130x70	1 -	1/44	875.4413
196x152x70	2 Accept separator 152*	1/40	875.4414
294x152x70	3 Accept separator 152*	1/24	875.4415
392x152x70	4 Accept separator 152*	1/20	875.4416
480x160x70	3 Accept separator 160*	1/12	875.4417

* Provided without separator

SEPARATORS

- To divide electric circuits

DESCRIPTION	DIMENSIONS	PACK QTY.	CATALOGUE NUMBER
Separator 152	152 mm	25/200	875.4490
Separator 160	160 mm	25/200	875.4491



FLUSH JUNCTION BOX 294x152x70 mm (3 COMPARTMENTS)

